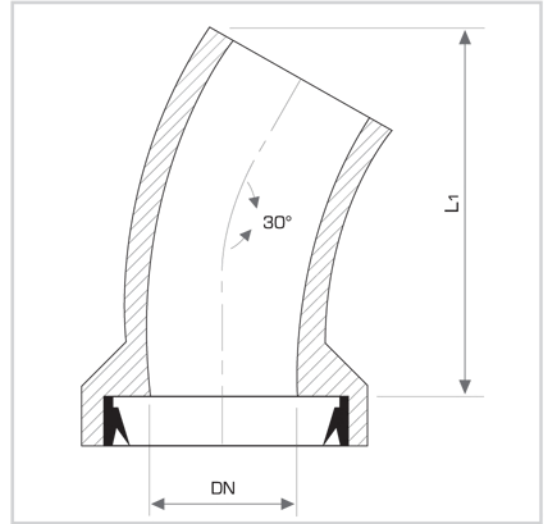
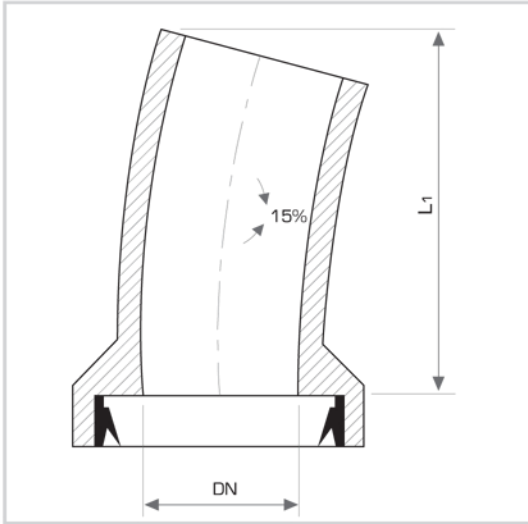


**Bends 15° and 30° with "L" joint,**  
Joining system "F"

**أكواع ١٥° و ٣٠° درجة بمفصل "L"**  
نظام الوصلة المرنة "F"



| Nominal Size<br>DN | Joint Type | Joining System | Strength Class | Bends     |           | Ave. Weight |
|--------------------|------------|----------------|----------------|-----------|-----------|-------------|
|                    |            |                |                | 15° +/- 3 | 30° +/- 4 | Kg/Pc       |
|                    |            |                |                | L         | L         |             |
| 100                | L          | F              | 34             | 270       | 230       | 9           |
| 150                | L          | F              | 40             | 300       | 250       | 12          |

Bends for different degree can be produce upon request