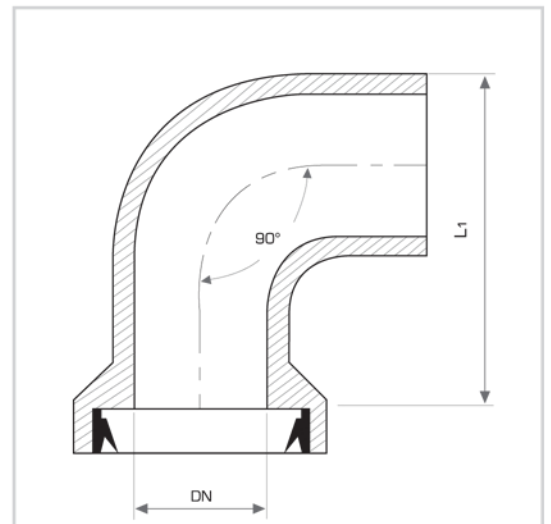
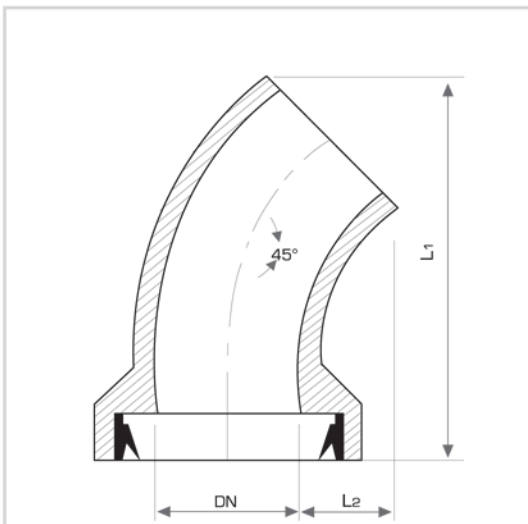


Bends 45° and 90° with "L" joint,
Joining system "F"

أكواع ٤٥° و ٩٠° درجة بمفصل "L"
نظام الوصلة المرنة "F"



Nominal Size DN	Joint Type	Joining System	Strength Class	Bends		Ave. Weight Kg/Pc
				45° +/- 5° L	90° +/- 5° L	
100	L	F	34	270	265	9
150	L	F	40	300	300	14

Bends for different degree can be produce upon request